

BLICKMAN

Lifetime Limited Warranty

Blickman warrants to the original purchaser that its proprietary products will be free from defects and service for the life of the product, so long as owned by the original purchaser, according to the limitations set forth below.

Defective products shall be repaired or replaced at Blickman's option at no cost to the original purchaser provided:

- a) The customer must obtain a written return authorization supplied by Blickman's Customer Service Department. The product must be returned, properly packaged, with a copy of the original sales receipt. Please call (800) 247-5070 or (201) 909-0807 to receive a return authorization.
- b) The customer must pre-pay freight charges to and from Blickman and must properly ship all merchandise.

This warranty does not apply to products which have been subject to abuse, misuse, accident, modification, alteration, tampering, negligence, lack of routine maintenance, or misapplication; or to products that have been repaired by those other than Blickman or its authorized representatives.

This warranty does not apply to glass, fabrics, vinyl, seat coverings, cushions, padding or their stitching, gluing or installation. Component parts not manufactured by Blickman (such as casters, caster inserts, any components made from rubber or plastic, circuit boards, fan heaters, plumbing parts, electrical switches and components) are also excluded. For these component parts, Blickman will pass on the original manufacturer's warranty to Blickman equipment original purchasers. Please consult factory for questions regarding the warranties of these component parts.

UNLESS EXPRESSLY SET FORTH IN THIS WARRANTY, THERE ARE NO OTHER WARRANTIES, WHETHER EXPRESS OR IMPLIED, OF FITNESS AND/OR MERCHANTABILITY OR ANY OTHER WARRANTY IMPLIED BY CUSTOM, USAGE, OR COURSE OF DEALING.

Liability of Blickman under this warranty is limited to the repair and/or replacement of any products. Blickman specifically excludes and disclaims and responsibility for any incidental or consequential damages claimed to have arisen from any defect in workmanship or materials. No representative has any authority to change or enlarge the above warranty or Blickman liability.

This document supersedes all previous warranty provisions.

“Engineered for a Lifetime!”

This page left blank intentionally.

Table Of Contents

I. Receiving and Opening Cartons and Crates.....	4
II. Installation and Assembly Instructions	5
A. Base Cabinets and Countertops.....	5
B. Wall Cabinets	8
C. High Cabinets	9
D. Built-In Console Cabinets	10
E. Installing Sliding Doors.....	12
F. Seismic Anchoring.....	13
III. Care for Stainless Steel Equipment.....	13
A. Product Cleaning.....	13
B. Tough Stains and Rust	13

I. Receiving and Opening Cartons and Crates

Your order has been shipped according to the terms and conditions agreed upon between the ordering party and Blickman.

The following steps should be taken by your receiving personnel to ensure that your order is damage-free and in proper order and condition:

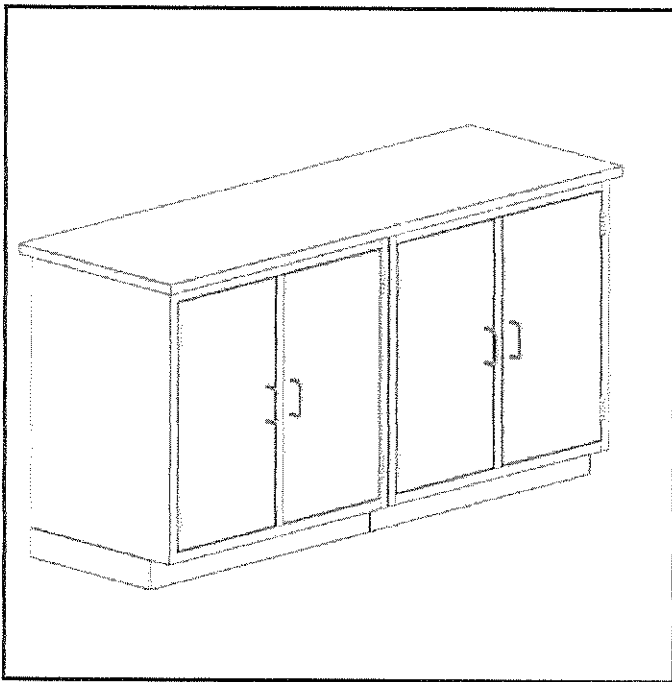
- Your order is shipped in cartons, crates, blanket-wrapped, or a combination of the above.
- Upon receipt of packing list, verify the number of cartons, crates, and packages to make sure that you have received all materials listed.
- Check cartons, crates, and packages for signs of mishandling and other damage.
- Before signing transport truck delivery receipt, call driver's attention to damages and note your comments on delivery and packing list. If possible, take photos of damage.
- Before opening, be sure that the carton or crate is in the upright position.
- When cartons, crates, and packages are opened, inspect items for concealed damages or missing parts.
- If items will be stored, do not place cartons or crates on top of one another. This will prevent damage and eventual breakage.

II. Installation and Assembly Instructions

All equipment shipped by Blickman is in accordance with drawings approved by client or client representative. The customer supplies all architectural dimensions for finished wall partitions and floor elevations. If there are any discrepancies with these dimensions, installer will have to discuss these findings with the owner/client.

A) Base Cabinets & Countertops

1. Unpacking of cabinets must be done at the location in which equipment will be installed to avoid scratching or marring of the finished product.



Assembled Base Cabinet Unit with Countertop

2. Base cabinets are packed and shipped as a single unit, independent of any adjacent unit or anything on top of the item. All hardware, handles, and other components are completely assembled in/on the unit with the exception of shelves and shelf clips, which must be assembled upon installation.
3. Countertops are shipped separately. Be sure to check packing list to ensure that all listed components are accounted for during assembly and installation. In most cases, faucets and other plumbing fixtures are not supplied with the shipment.

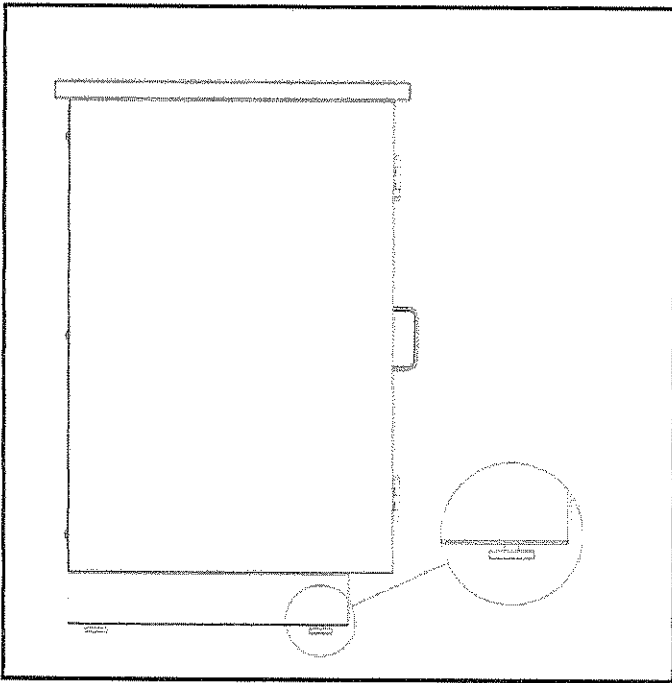


Figure 1

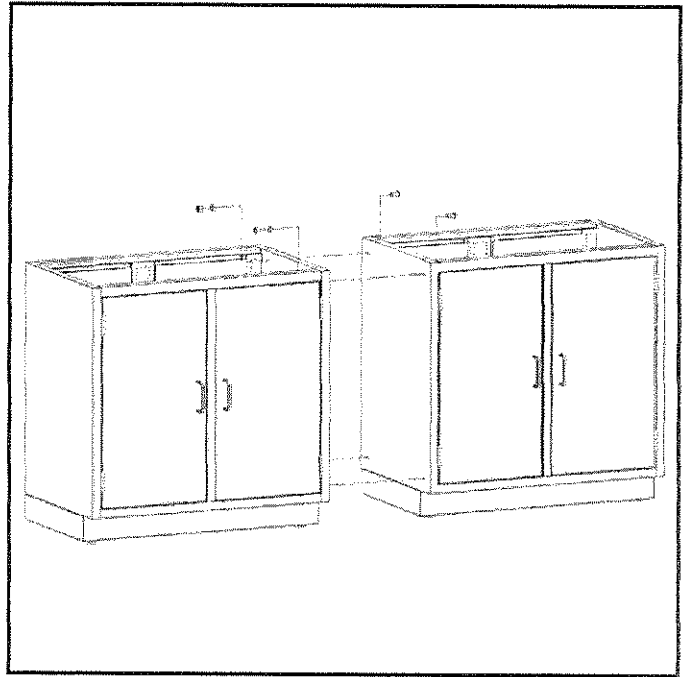


Figure 2

4. Set base cabinets in place. Cabinets are equipped with leveling feet in corners to allow for level and plumb adjustment (see Figure 1). The adjustment of these feet is accessed by removing the metal hole plugs on the inside of the bottom of the cabinet. To adjust, tighten or loosen as necessary using a 5/16" socket wrench.
5. Secure cabinets together by drilling four holes on each side of cabinet and then attach together side-by-side with appropriate fasteners, not included (see Figure 2).
6. Cabinet back clearance is approximately one inch (1") from the back wall. Fillers for back and front are supplied as required. Back fillers are fixed by insertion to clips on back plate of cabinet (see Figure 3). Front fillers are fastened with double-sided tape.

- Countertops are assembled to base cabinets by aligning countertop with cabinet, marking and drilling bottom reinforcement channels in countertop assembly. Then proceed to fasten with appropriate sheet metal fasteners – i.e. self-tapping screws, not included (see Figure 4).

- Check overall assembly height, level and plumb, and adjust as necessary.

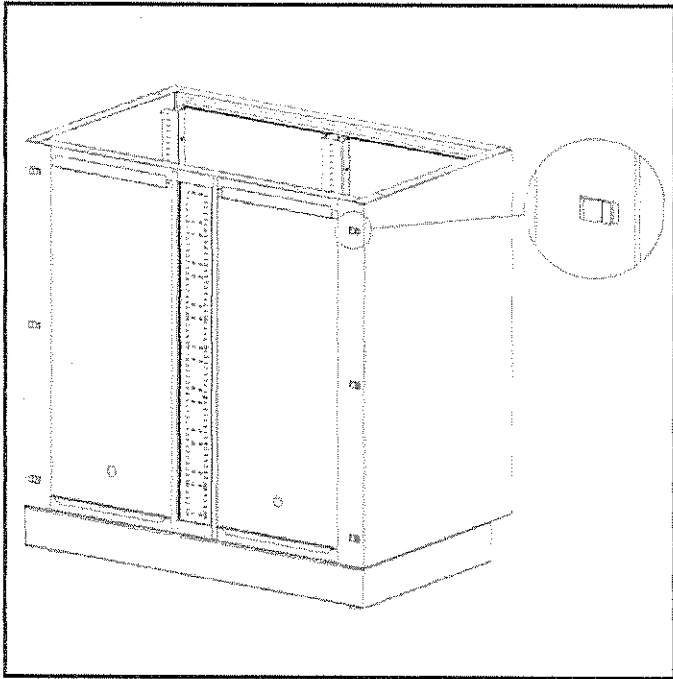


Figure 3

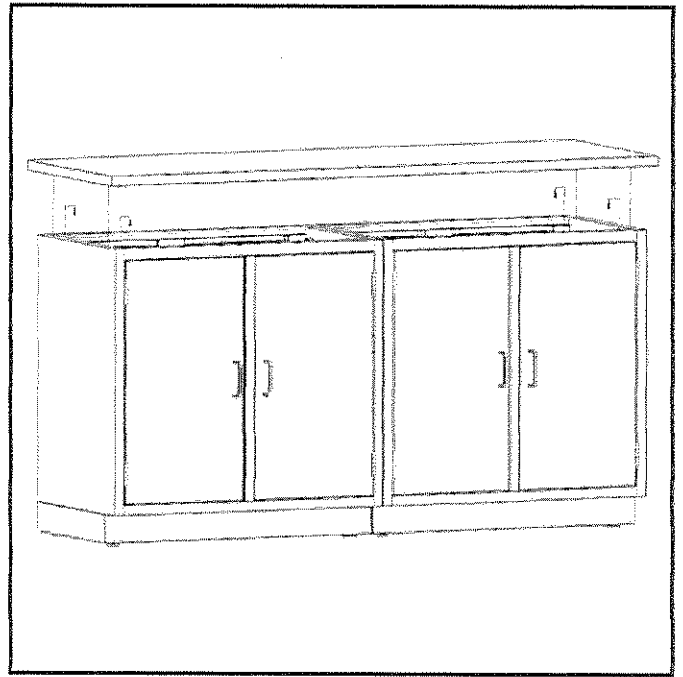
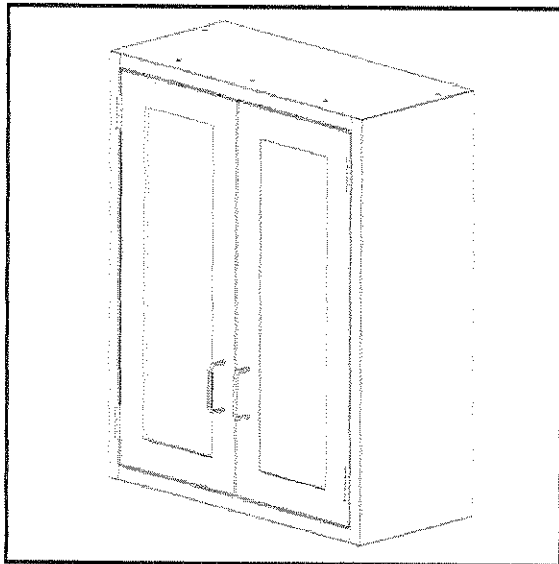


Figure 4

B) Wall Cabinets



Complete Wall Cabinet

1. Unpacking of wall cabinets must be done at the location where equipment will be installed to avoid scratching or marring of the finished product.
2. Wall cabinets are packed and shipped as a single unit, independent of any adjacent unit or anything on top of the item. All hardware, handles, and other components are completely assembled in/on the unit with the exception of shelves and shelf clips, which must be assembled upon installation.
3. Wall cabinets are fixed to wall by hanging on "Z-Bars" that are attached to the wall by suitable hardware, not included, depending on the type of wall (i.e. dry wall, block, tile, concrete, etc.).
4. Determine and mark desired height to hang wall cabinets.
5. Mark location of Z-Bars (see Figure 5 and Table 1). Drill holes in wall and fasten Z-Bars with appropriate fasteners, not included, for wall type.
6. Hang cabinet, check level, and adjust as necessary. If necessary, provide wood cleat,

not included, behind cabinet and drill additional holes to fasten cabinet to wood spacer (see Figure 6).

Table 1:

W (in.)	Z (in.)	S (in.)	# Z-Bars
18	16	17	1
24	16	23	1
29	22	28	1
35	22	34	1
47	16	46	2

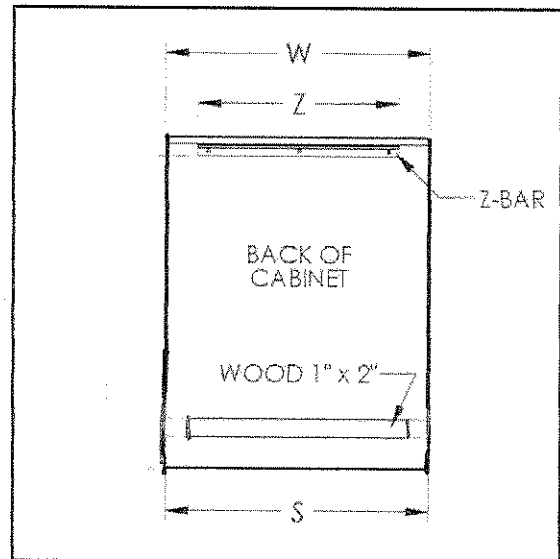


Figure 5

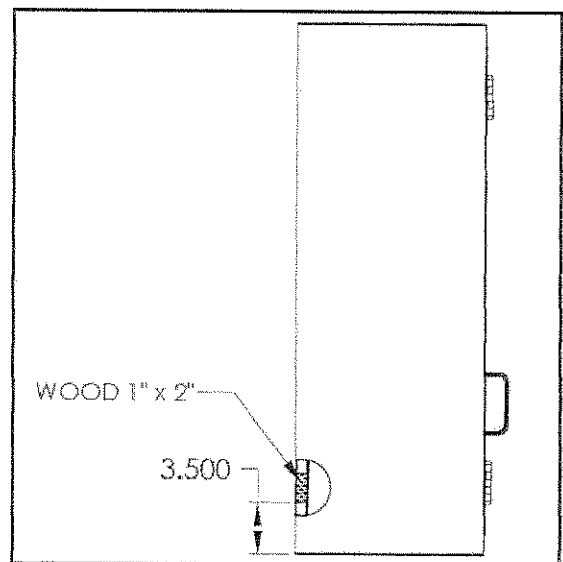
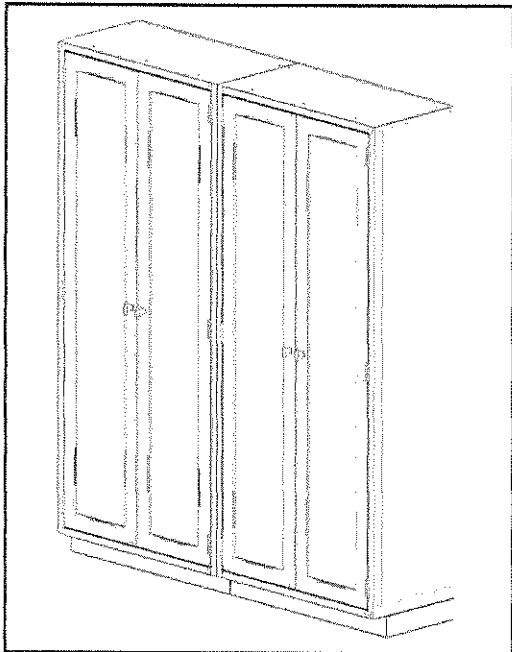


Figure 6

C) High Cabinets



Assembled Bank of High Cabinets

1. Unpacking of high cabinets must be done at the location in which equipment will be installed to avoid scratching or marring of the finished product. Set cabinet in place.
2. Freestanding high cabinets are delivered as a single unit, all hardware, handles, and other components are completely assembled in/on the unit with the exception of shelves and shelf clips which must be assembled upon installation.
3. Set high cabinets in place. Cabinets are assembled with leveling feet in corners to allow for level and plumb adjustment (see Figure 7). The adjustment of these feet is accessed by removing the metal hole plugs on the inside of the bottom of the cabinet. To adjust, tighten or loosen as necessary using a 5/16" socket wrench.
4. Cabinets must be secured from falling by fastening the back of the cabinet to a wall with hardware, not included, appropriate for the type of wall. If necessary, backs are

anchored to wall by first fastening a 1" x 2" wood cleat, not included, to the wall with appropriate hardware, not included, and then fastening the cabinet to the 1" x 2" cleat (see figure 8).

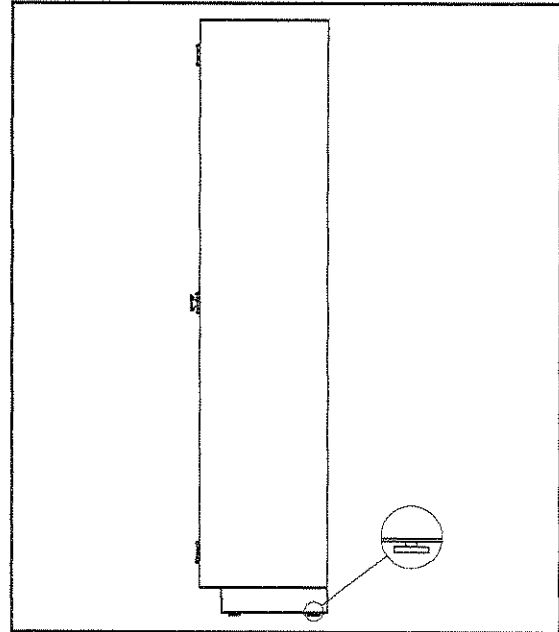


Figure 7

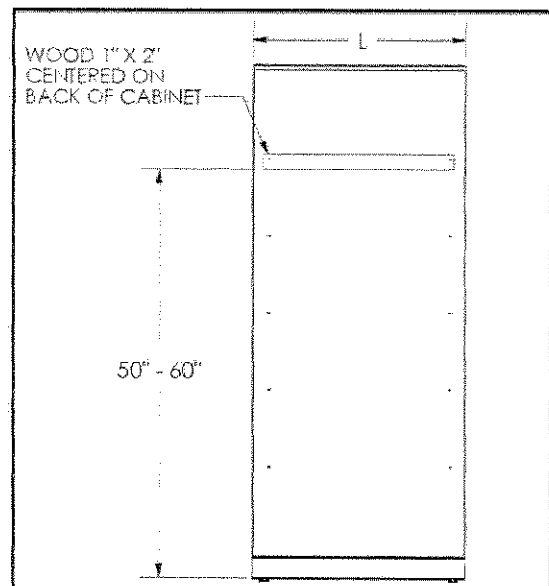
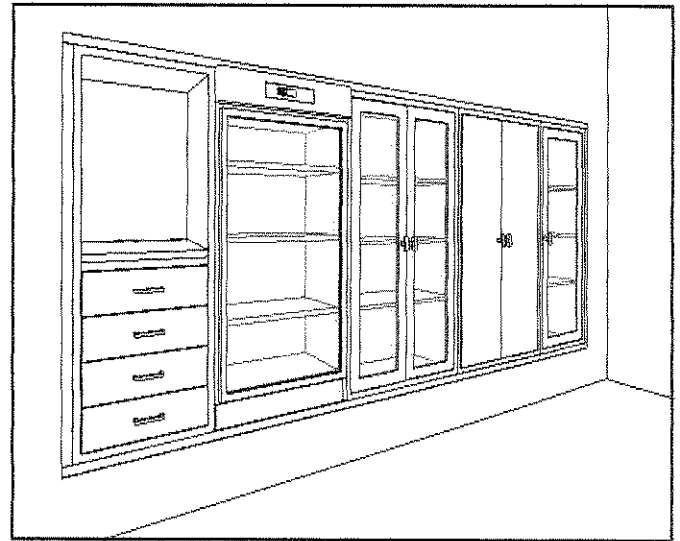


Figure 8

D) Built-In Console Cabinets

1. Unpacking of console cabinets must be done at the location in which equipment will be installed to avoid scratching or marring of the finished product
2. Wall must be prepared as shown in Figure 9. Set cabinet (and base if provided) in place and level each cabinet, shimming if necessary. Shims not provided.
3. Secure cabinets together by drilling four holes on each side and then attaching the cabinets together side-by-side with appropriate fasteners, not included (see Figure 10).



Bank of Console Cabinets Installed with Trim

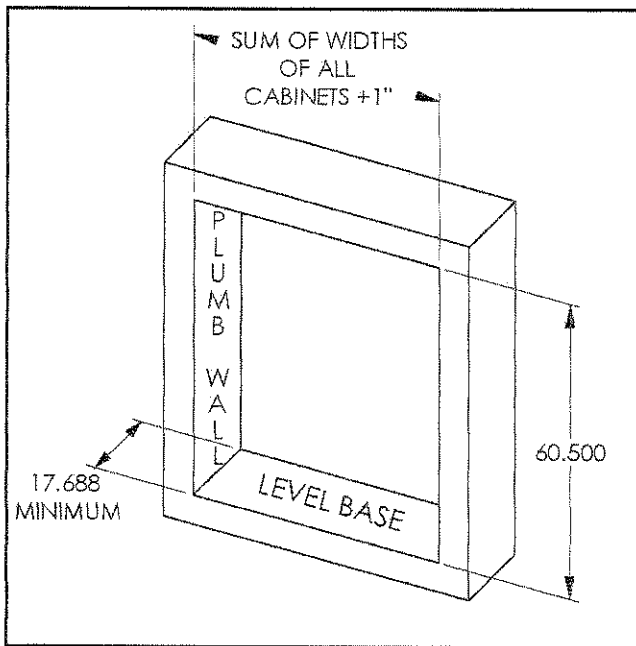


Figure 9

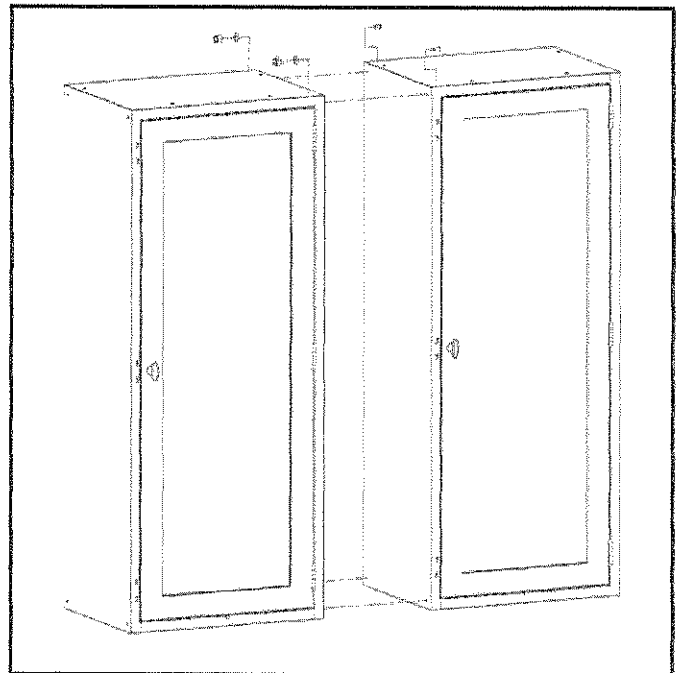


Figure 10

4. Cabinets are fastened to walls by bolting the back to the wall with appropriate hardware, not included, for wall type. If required, with a 1" x 2" wood cleat, not included, is first fastened to the wall with appropriate hardware and then the cabinet is attached to the wood cleat (see Figure 11).

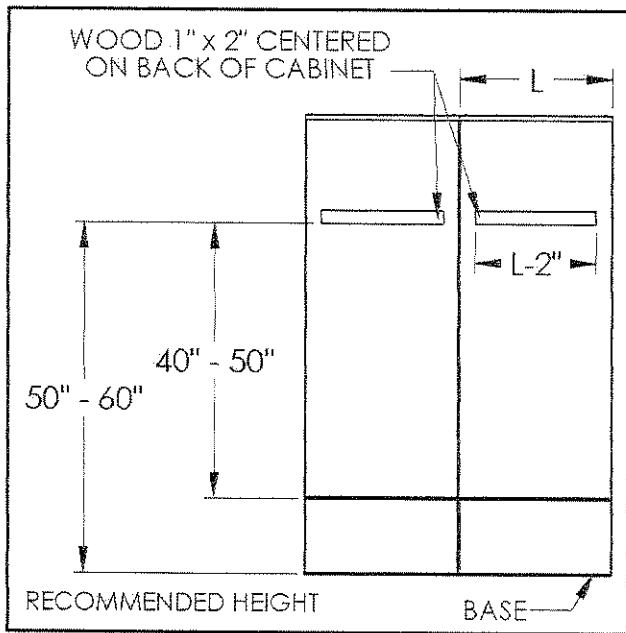


Figure 11

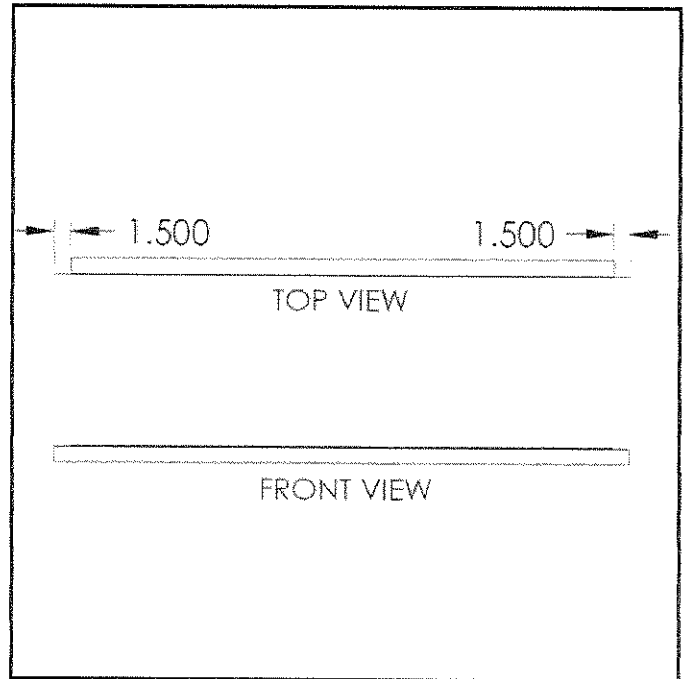


Figure 12

5. Cabinets should be installed with faces flush with wall. Sufficient aesthetic angle trim is provided with your cabinet to frame out your installation. To install trim, cut horizontal piece to length, then notch both ends (see Figure 12). Then cut vertical pieces to length. Clean walls around cabinets to ensure adhesion and then adhere trim with two-sided tape to the wall (see Figure 13). Note: Tape is provided on trim.

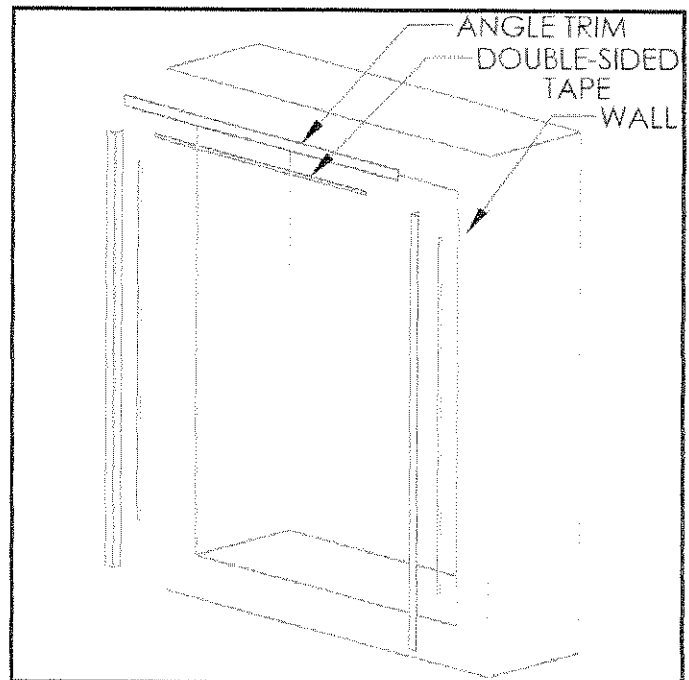
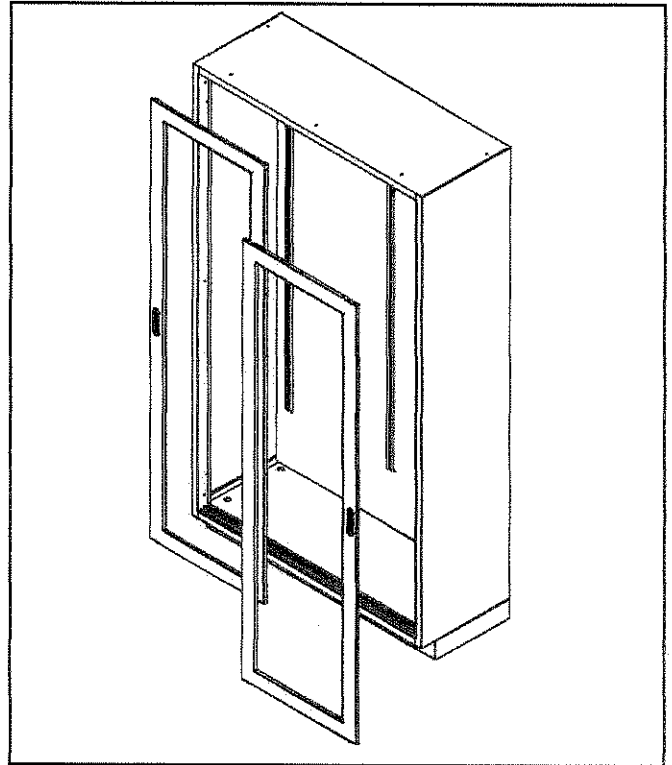


Figure 13

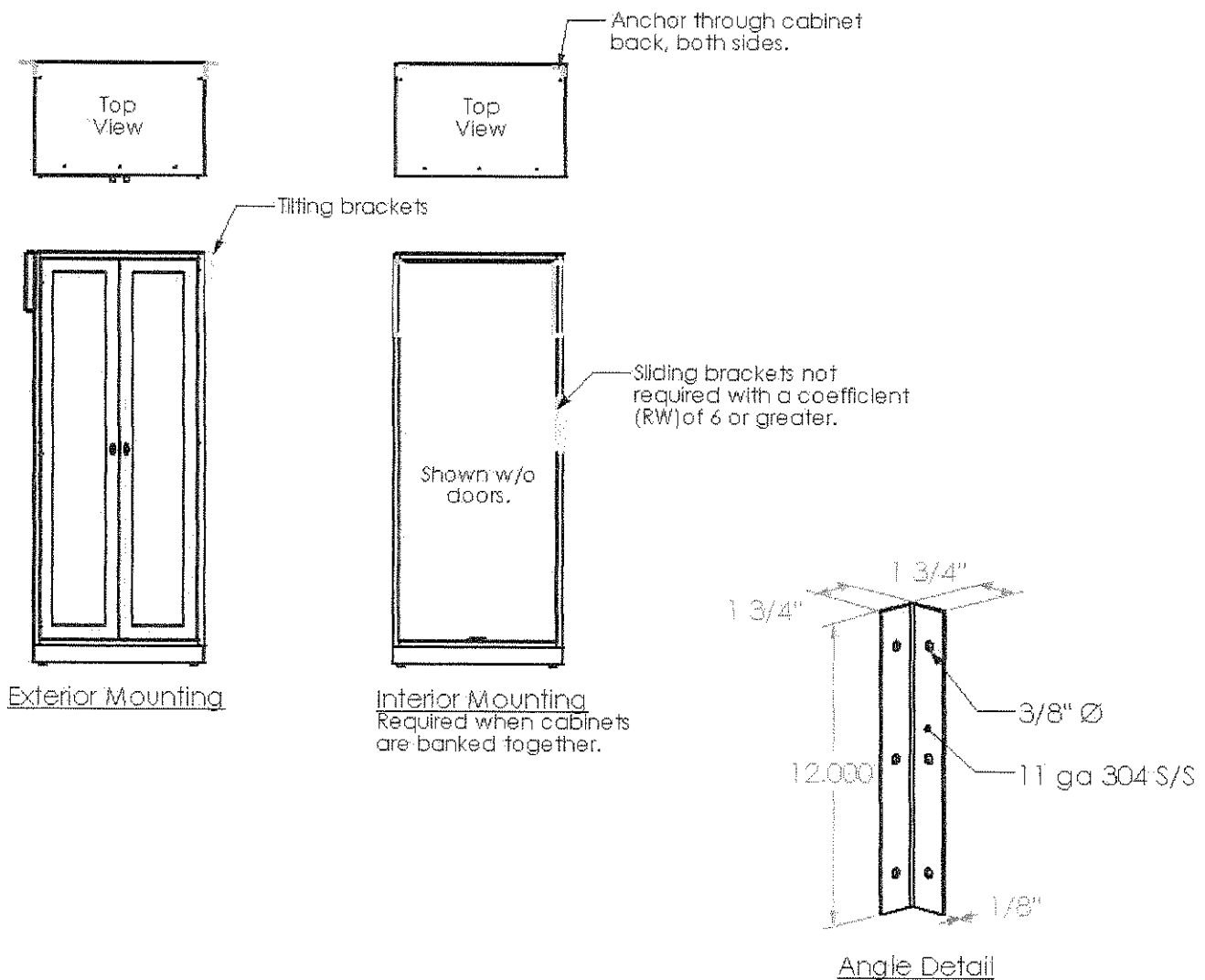
E) Installing Sliding Doors

1. Install the left door first. Tilt the door at an angle to get inside the cabinet. Once inside the cabinet position the door vertically so that the top of the door is in the inner top track. Then move the bottom of the door into position so it rests in the bottom inner track.
2. After left door has been installed install the right door next. Tilt the door at an angle so that the top of the door is aligned with the top outer track. Then move the bottom of the door into position so it rests in the bottom outer track. This is a tight fit so it may be necessary to use a flat head screwdriver to help maneuver the door into the bottom track.



F) Seismic Anchoring

1. Structural Calculations to determine seismic connection based on **CA. Title 24 UBC Chap 23**.
2. Center mounted sliding brackets are not required considering lateral forces resisting system with a coefficient (RW) of 6 or greater.
3. Installer must use proper screws and wall anchors. A minimum pull force of 20lbs is required for each wall anchor and fastener.
4. Cabinets shipped without holes for Seismic Brackets. Installer is required to drill holes accordingly.



III. CARE FOR STAINLESS STEEL EQUIPMENT

A. Product Cleaning

Regular cleaning is important to maintain the appearance of stainless steel equipment. Clean your product with a soft cloth and hot water or commercial stainless steel cleaner according to the cleaner's directions.

Countertops and other kitchen cabinet equipment can be cleaned with a solution of liquid dishwashing detergent and water or a solution of baking soda and water. Rinse and polish dry with a paper towel or soft cloth. Drying is very important to eliminate any film buildup that may develop from hard water deposits.

What to avoid:

1. Bleach, acids, strong alkali, and chlorine cleaners can cause discoloration, staining and eventual pitting. If any of these solutions come into contact with the surface, rinse off immediately.
2. Coarse grit cleaners or steel wool pads can contaminate and scratch the surface leading to staining and rusting.

B. Tough Stains and Rust

Most stains are a result of water-borne minerals. Rust stains are a result of iron particles from an outside source (i.e. water, cookware, etc.). Persistent stains, (including rust) can be removed with a variety of mild, non-abrasive, stainless steel cleaners. Always rinse thoroughly when using any cleaner. See the Blickman website for further details at www.blickman.com.