



EQUIPMENT ANCHORAGE & SEISMIC ENGINEERING
2801 Connery Way, Suite B
Missoula, MT 59808
Phn: (406) 541-EASE (3273) Fax: (406) 541-3274

Office of Statewide Health Planning and Development
ANCHORAGE PRE-APPROVAL

OPA-2250-07

Equipment Manufacturer: Blickman Health Industries

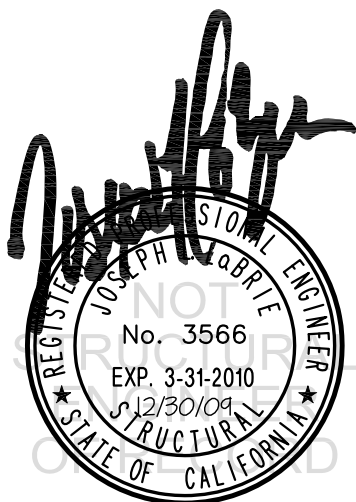
Equipment Type: High Cabinets

GENERAL NOTES

1. FORCES PER ASCE 7-05 SECTION 13.3.1, EQUATIONS 13.3-1, 13.3-2 & 13.3-3, WHERE $S_{DS} = 1.93$, $a_p = 1.0$, $I_p = 1.5$ & $R_p = 2.5$
2. THIS PRE-APPROVAL CONFORMS TO THE 2007 CALIFORNIA BUILDING CODE.
3. THE DETAILS IN THIS PRE-APPROVAL MAY BE USED AT ANY HEIGHT AND AT ANY LOCATION IN THE STATE OF CALIFORNIA.
4. ALL ANCHOR FORCES SHOWN ON THE DRAWINGS ARE WORKING LOADS (AS OPPOSED TO STRENGTH LEVEL LOADS) AND MAY BE USED FOR ALLOWABLE STRESS DESIGN.
5. SHEET METAL SCREWS SHALL BE TEKS SCREWS BY ITW BUILDEX (ICC ESR-1976).
6. THIS PRE-APPROVAL COVERS THE ANCHORAGE OF THE UNIT ONLY.

RESPONSIBILITIES OF THE STRUCTURAL ENGINEER OF RECORD

7. DESIGN BACKING BARS, STUDS, ETC. WHICH THE UNITS ARE ATTACHED TO AS NOTED ON THE DRAWINGS. THE SEOR SHALL ALSO VERIFY THE ADEQUACY OF THE STRUCTURES (SUCH AS WALLS AND FLOORS) WHICH SUPPORT THE UNITS FOR THE LOADS IMPOSED ON THEM BY THE UNITS AS WELL AS ALL OTHER LOADS.
8. PROVIDE ANY SUPPORTING STRUCTURE REQUIRED TO SUPPORT WEIGHTS AND FORCES SHOWN, IN ADDITION TO ALL OTHER LOADS.
9. VERIFY THAT THE INSTALLATION IS IN CONFORMANCE WITH THE 2007 CBC AND WITH THE DETAILS SHOWN IN THIS PRE-APPROVAL. VERIFY THAT THE ACTUAL EQUIPMENT'S WEIGHT, CG LOCATION, ANCHOR LOCATIONS, ANCHOR DETAILS AND THE MATERIAL AND GAGE OF THE UNIT WHERE ATTACHMENTS ARE MADE AGREE WITH THE INFORMATION SHOWN ON THE PRE-APPROVAL DOCUMENTS.



BLICKMAN HEALTH INDUSTRIES

HIGH CABINETS

DES. **R. LA BRIE**

EASE JOB NO. **11-0934**

DATE **12/30/09**

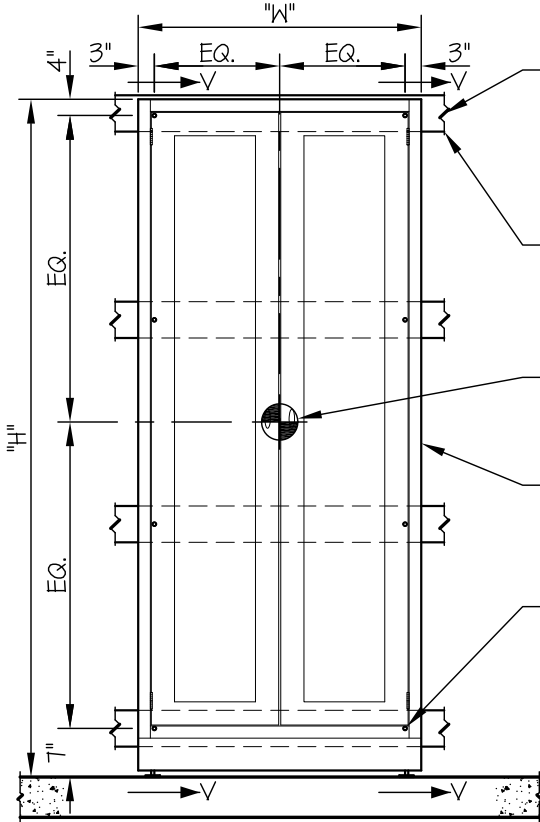
SHEET

2

OF **3** SHEETS

SEISMIC ANCHORAGE

5/8" THK. WALL BOARD WALL MOUNTED



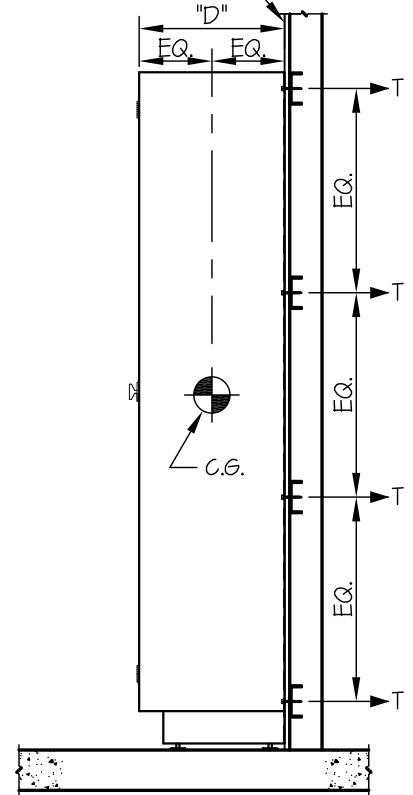
WHERE STUDS DO NOT LINE UP WITH SCREWS PROVIDE WALL BACKING 16 GA., 50 KSI MIN. (BY E.O.R.)

ENGINEER OF RECORD SHALL DESIGN THE WALL BACKING AND THE WALL STRUCTURE

C.G. WT. = SEE TABLE (INCLUDES CONTENTS)

BACK OF CABINET IS 18 GAGE (50 KSI)

USE 8- 1/4"Φ TEK SCREWS TO WALL STRUCTURE (16 GA., 50 KSI (MIN))

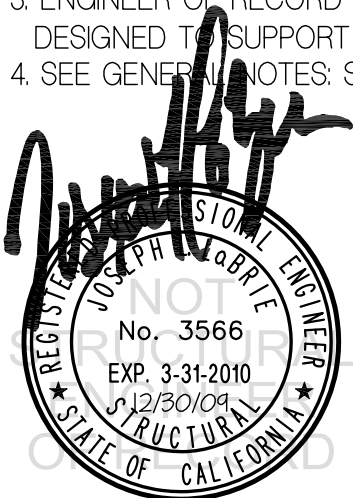


FRONT ELEVATION

SIDE ELEVATION

NOTES:

1. ANCHORAGE DESIGN PER 2007 CALIFORNIA BUILDING CODE - SECTION 1613A AND ASCE 7-05 SECTIONS 12 AND 13. ALLOWABLE STRESS DESIGN IS USED.
HORIZONTAL FORCE (E_h) = $0.97 W_p$ ($S_{ds} = 1.93$, $a_p = 1.0$, $I_p = 1.5$, $R_p = 2.5$)
VERTICAL FORCE (E_v) = $0.27 W_p$
2. CENTER OF GRAVITY (C.G.) WEIGHT IS A MAXIMUM. THIS PRE-APPROVAL ENCOMPASSES ALL WEIGHTS UP TO THE MAXIMUM WEIGHT SHOWN.
3. ENGINEER OF RECORD FOR THE BUILDING SHALL PROVIDE RIGID ($a_p = 1.0$) SUPPORT STRUCTURE DESIGNED TO SUPPORT WEIGHTS AND FORCES SHOWN, IN ADDITION TO ALL OTHER LOADS.
4. SEE GENERAL NOTES: SHEET 1.



A P P R O V E D
Fixed Equipment Anchorage
Office of Statewide Health Planning and Development

OPA-2250-07
Pre-approval Program Manager:
Anthony R. Pike
(916) 440-8470

Reviewed By: *Anthony R. Pike* 12/30/09

BLICKMAN HEALTH INDUSTRIES

HIGH CABINETS

DES. **R. LA BRIE**

EASE JOB NO. **11-0934**

DATE **12/30/09**

SHEET
3

OF **3** SHEETS

SEISMIC ANCHORAGE

WALL MOUNTED

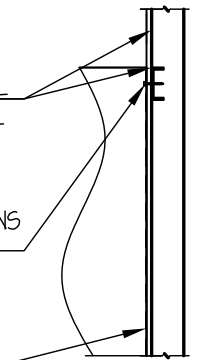
MAX WEIGHT (LBS.)	W (in.)	H (in.)	D (in.)	T _{MAX} (LBS/BOLT)	V _{MAX} (LBS/BOLT)
475	18.75	84	18	133	77
585	18.75	84	23	194	94
608	24.75	84	18	137	98
729	24.75	84	23	185	117
856	35	84	18	162	138
1041	35	84	23	214	168
1125	47	84	18	198	181
1300	47	84	23	242	211

ENGINEER OF RECORD SHALL DESIGN THE WALL BACKING AND THE WALL STRUCTURE

USE 8- 1/4"Ø TEK SCREWS TO WALL STRUCTURE (16 GA., 50 KSI (MIN))

5/8" THK. WALL BOARD

STEEL STUD WALL



A P P R O V E D
 Fixed Equipment Anchorage
 Office of Statewide Health Planning and Development

OPA-2250-07
 Pre-approval Program Manager:
 Anthony R. Pike
 (916) 440-8470

Anthony R. Pike
 Reviewed By: Anthony R. Pike 12/30/09